

# **RELAX GLASS FRAME**

## **IRA IP65(1500W/1800W)**

**EINBAU-MONTAGEANLEITUNG –SCHRAUBENBEFESTIGUNG**  
**FLUSH-MOUNTED INSTALLATION MANUAL –SCREW FIXING**  
**MANUEL D'INSTALLATION ENCASTRÉ – VIS DE FIXANTION**  
**MANUALE DI INSTALLAZIONE DA INCASSO – FISSAGGIO A VITE**  
**MANUAL DE INSTALACIÓN EMPOTRADO – FIJACIÓN DE TORNILLO**  
**INDBYGNINGSINSTALLATIONS MANUAL – SKRUEFASTGØRELSE**  
**INBYGGD INSTALLATIONS MANUAL – SKRUVFÄSTNING**  
**INNEBYGD INSTALLASJONS MANUAL – SKRUEFESTE**  
**UPPOASENNETTAVA ASENNUSOHJE – RUUVI KIINNITYS**



Irrtum und technische Änderungen vorbehalten · Subject to errors and technical changes · Sous reserve d'erreurs et de modifications techniques · Excepto erro ou alteracao tecnica · Salvo error o modificacion tecnica · Fejl og tekniske ændringer forbeholdt · Fel och tekniska ändringar reserverade · Feil og tekniske endringer reservert · Virheet ja tekniset muutokset on varattu!

**FLUSH MOUNTED INSTALLATION FOR BRELGF1500-1800x:**

Dear Customer,  
 please read the following information carefully before using  
 the appliance for the first time for your own safety and to  
 ensure correct use and installation.

**DESIGNATED USE:**

Outdoor areas.

**INFORMATION:**

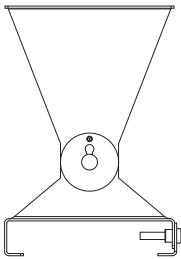
- The Flush Mount Enclosure is an ideal way to neatly install the heater into a ceiling. Flush mounting can be used with any building grade ceiling materials.
- Maximum mounting heights should be strictly followed, otherwise the performance of the units may be reduced. The enclosure is manufactured from stainless steel.

**WARNING:**

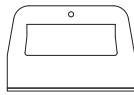
**Depending on material and design of ceiling structural elements, the appliance must be secured with the correct fasteners. The total weight of the heater and the kit are up to 8 kg, the installation location must be able to hold 5 times the weight of the heater and the kit.**

**NOTE:**

The bracket (no.2) is specially designed for flush-mounted installation packed together with the frame (no.3). Please don't use the bracket used for wall-mounted installation for the flush-mounted installation.

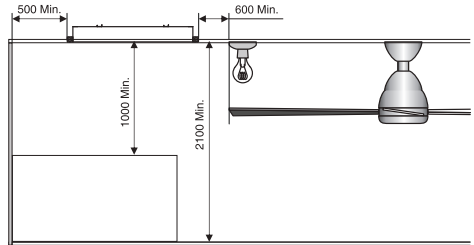
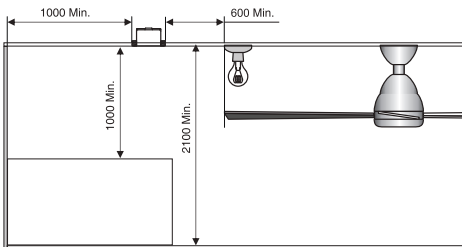


Bracket for wall, or ceiling installation

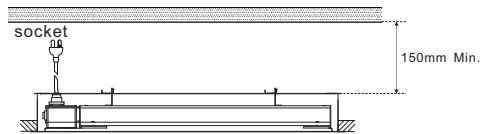


Bracket for flush-mounted installation

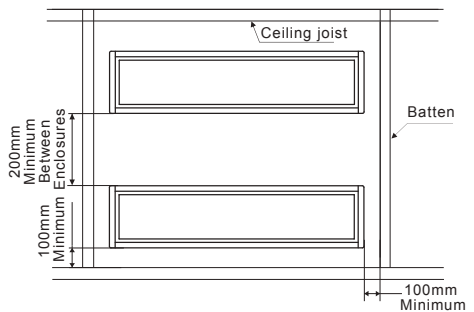
- Ensure all clearances detailed in the figure below are strictly followed (dimensions in mm):



- The minimum distance between the back of the enclosure and any building material is 150 mm.
- The heater must not be located immediately below a socket-outlet. The heater must not be located in front of a socket-outlet.
- The socket must be located outside the physical footprint of the units to minimize heat build-up behind the heater.



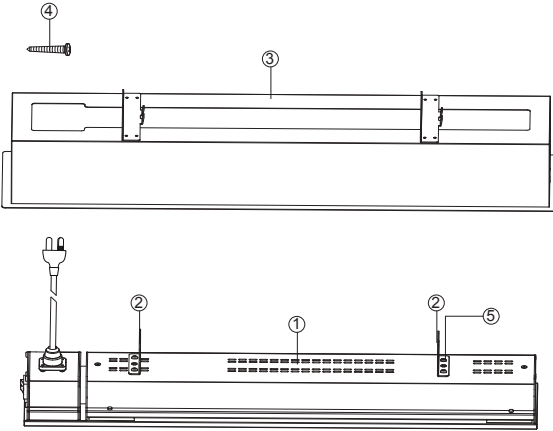
- The minimum distance between the sides of the enclosure and any support structure is 100mm. The minimum distance between adjacent enclosures is 200mm.



- Ensure all clearances detailed in the figure below are strictly followed (dimensions in mm):

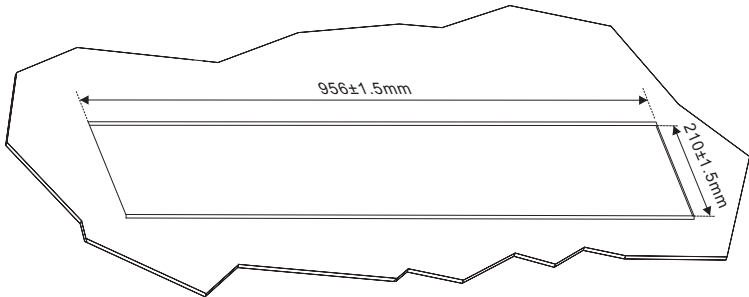
**INSTRUCTION**

1. Please check if following accessories are complete before installation:

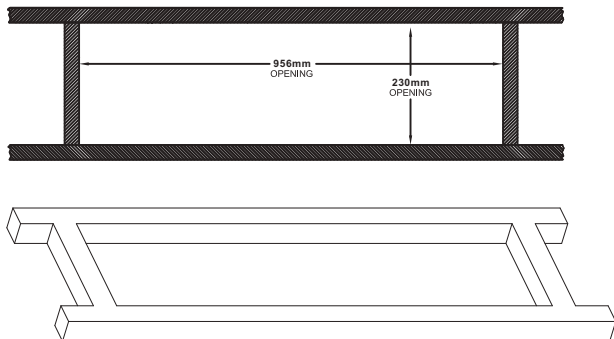


Part no.	Part name	Qty
①	Heater	1
②	Bracket for flush-mounted	2
③	Cabinet	1
④	Screw ST5*30mm	4
⑤	Screw M5*10mm	4

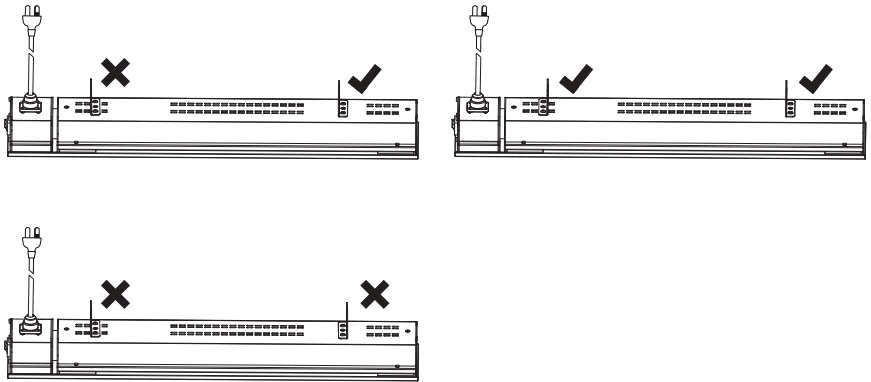
2. Hole cut-out dimensions on the ceiling is shown in figure below:



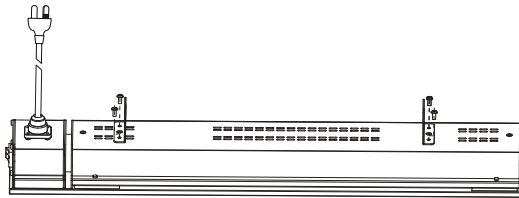
3. Make a batten frame as per the dimension shown below:



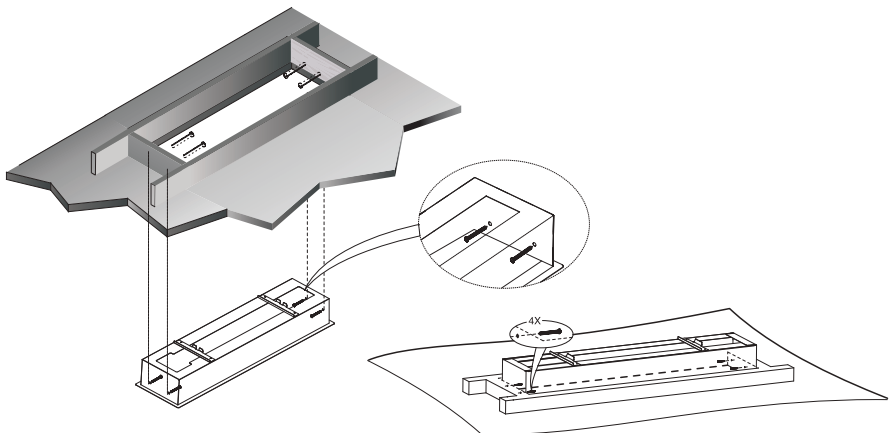
4. Fix the bracket (no.2) on the back of the heater, as per the dimension shown in the figure below:



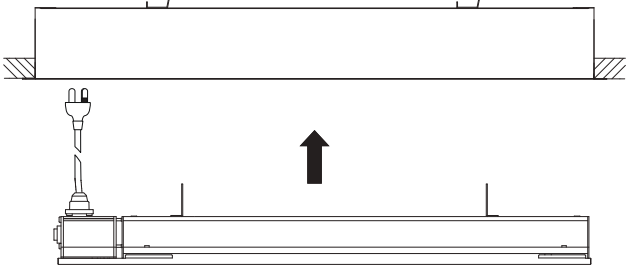
5. Lock the bracket by tightening the 4 screws (M5\*10mm) show in the figure below:



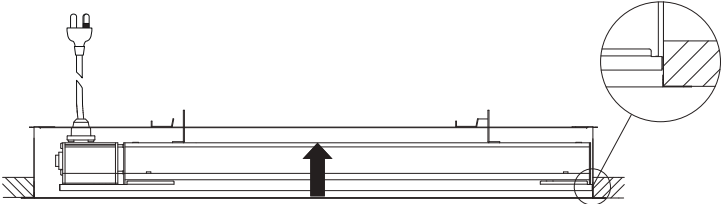
6. Fix the frame on the ceiling and fix it by 4 pcs ST5\*30mm (**not supplied**) screws.



7. Connect the heater to the power source, ensure the power is OFF. Ensure the power cable will not lay on the back of the heater.



8. Lift the heater into the frame, ensuring the brackets go through the cut holes on the top of the frame shown in figure below:



9. Move the heater to the left direction and then drop in, ensuring the brackets place rightly on the hanger. Gently shake the heater to ensure that it is securely mounted.

